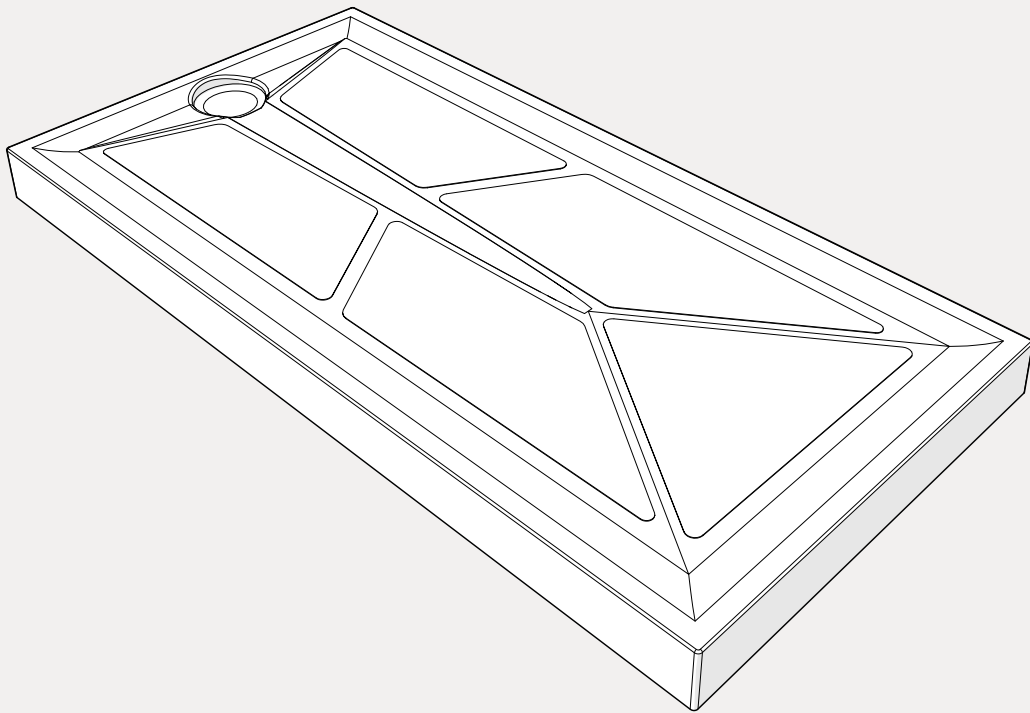


# Sulby 2 Shower Tray

INSTALLATION AND USER CARE INSTRUCTIONS



**UK  
CA** **CE**

Please read all instructions before installation and leave this document with the end user for future reference as it contains important warranty information

Determine the installation type and waste arrangement.

The Low Depth GW90 waste has been specifically designed to allow Sulby 3 trays to be surface mounted onto unbreachable floors without the need to excavate the floor.

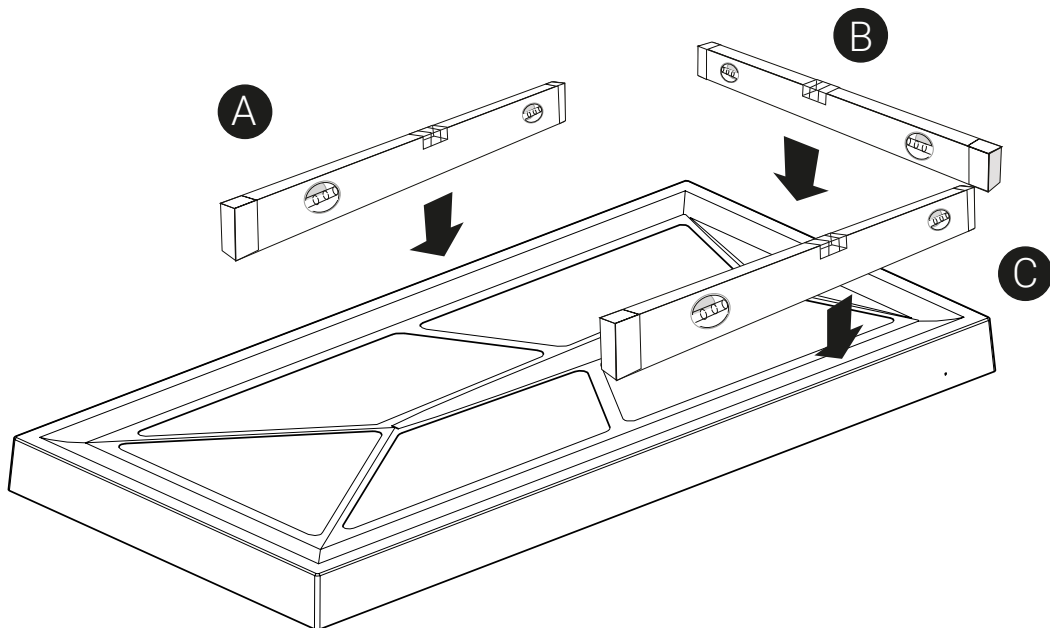
The pumped waste PW90 can also be used on the Sulby 3 tray - see separate installation instructions.

### Notes to Installers

**IMPORTANT:** Before completing the installation, water test the flow from tray into waste and test pump if installed for correct installation and drainage efficiency. It is important to ensure that the floor is level in all directions before putting the tray into place. If water puddles away from the waste, this is a clear indication that the levels are not correct - the water is acting as a 'spirit level'. The sides on the tray A and B may well show level on testing, but if point C is low, then water will puddle in the area of point C and the only remedy is to level the floor and refit the tray. The tray has 'lands' on all four sides.

Use a spirit level front to back and side to side - all 'lands' must be level - the fall is molded into the tray. (See Fig. A)

It is not necessary to remove plaster from the walls for installing the above trays. When tiling, ensure that the bottom row of tiles are bedded in to align with the final position.

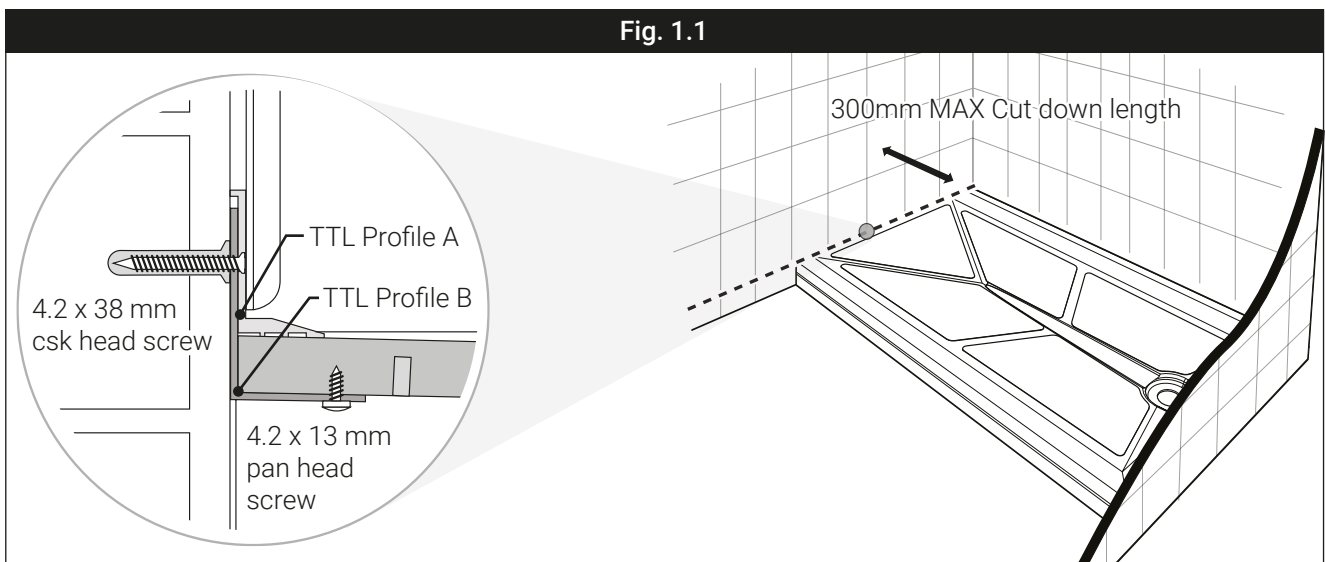


## 1. Optional - Cut 1800 mm tray to length

1800 mm long trays can be shortened along the length. Up to 300 mm can be trimmed off the end opposite the waste. Cut trays are suitable only for alcove installations.

Measure the distance between the walls and allow for the thickness of TTL (Trim To Length) profile B. See Fig. 1.1. Using a fine-toothed blade, cut the tray in a direction which does not chip the top face of the tray. Cut both TTL profiles to the correct size.

Apply mastic tape to the underside of the tray where TTL profile B will contact it. Screw TTL profile B to the tray using 4.2 x 13 mm pan head screws, ensuring that there is no gap between the cut face of the tray and the profile.



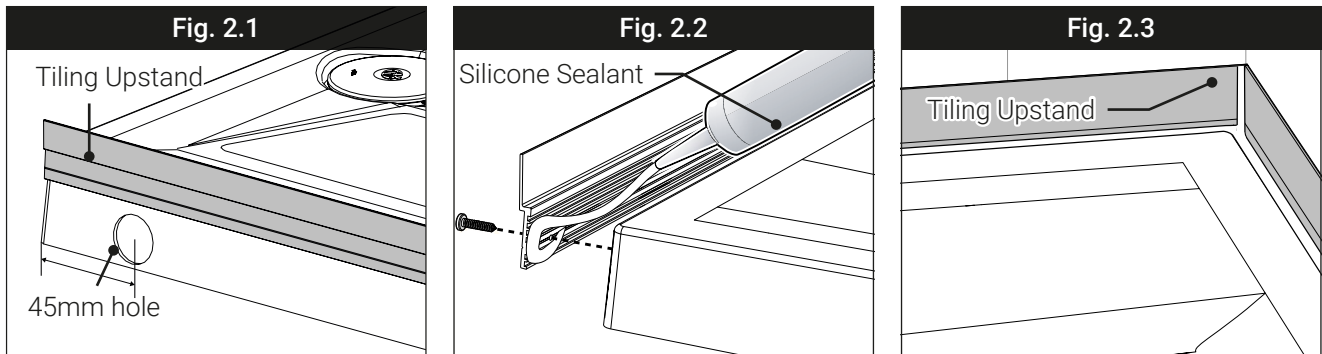
### 2.1. Step 1 - Tiling Upstands

N.B. Tiling upstands are supplied cut-to-size only. Installers to drill holes for tray fixings. Tiling upstand (fixing flange to tray) may have to be cut out to accommodate waste pipe exit in tray before fixing to tray.

Place tiling upstand against tray wall edges, ensure that upstand has angled ribbed face against tray wall, is flush with top of tray edge and is correctly positioned at corner before marking off fixing holes.

Drill 3.5mm (1/8") diameter holes in tray, apply silicone sealant to tiling upstand before fixing to the tray with No. 8 x 20mm (3/4") pan head self tapping screws.

Fit other tiling upstand in the same way, ensuring that it butts up to and is level with previously installed upstand at the corner. Cavities caused by radius on tray edge and corner must be silicone sealed. (See Figs. 2.1, 2.2 and 2.3)



## 2.2. Step 2 - Waste Exits

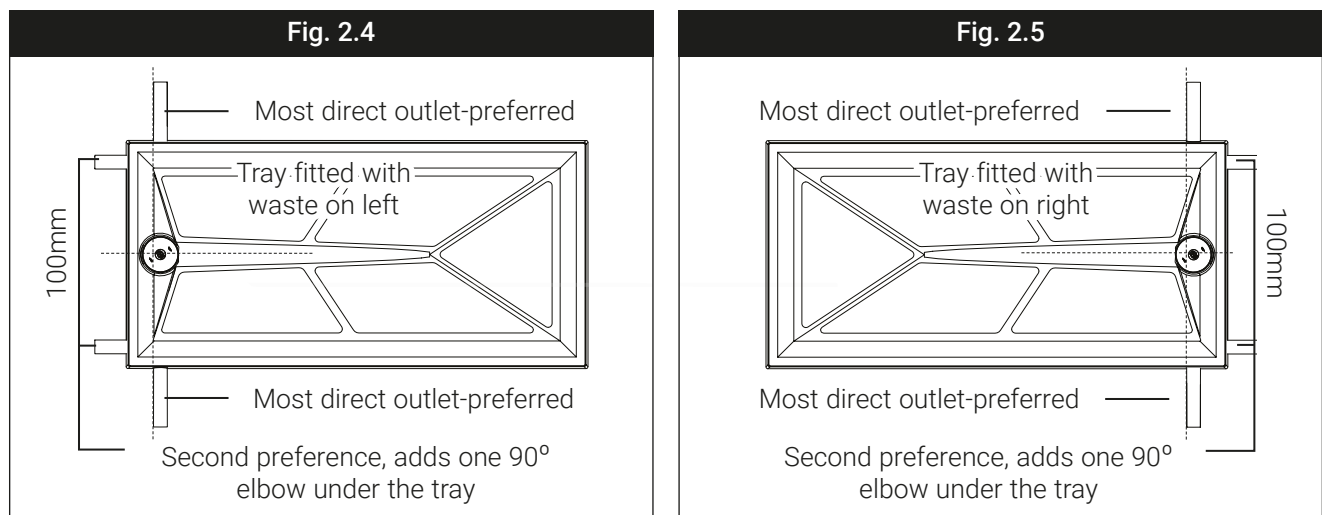
Determine waste pipe exit position in tray from 4 possible routes (see Figs. 2.4 and 2.5).

Fit waste pipe through exit hole in tray and into waste unit in tray.

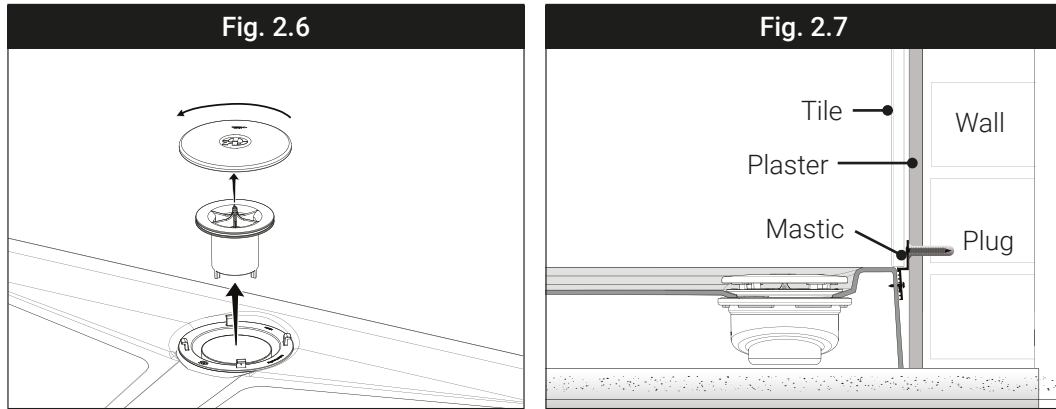
Secure to waste trap using elbow connectors if required.

Finally fit strainer and waste cover (see Fig. 2.6).

Pipe duct kits are available as options to fit onto the tray to avoid re-routing of existing pipework.



When tiling upstands are tight against back walls, drill for suitable plugs in wall, then fix with CSK head stainless steel screws (not supplied). Re-check tray is level and water test before tiling. Apply mastic to tiling upstand, while fitting bottom row of tiles as shown (see Fig. 2.7).



The waste cover and strainer can be removed to give clear easy access for rodding and to clear any accumulation of hair or other waste material.

## After Care

Provided that the shower tray has been correctly installed, difficulties should not be encountered. If any maintenance is required, it must be carried out by a competent installer.

It is advised that this product is cleaned regularly as part of a routine maintenance regime.

Always rinse the shower tray down using warm water after every wash to remove any insoluble products. If you use hair dye, immediately rinse the shower tray with soap and water.

For routine cleaning, use hot soapy water or a mild detergent and a soft cloth to wash and rinse the showering area. Never use abrasive cloths or any aggressive cleaning materials to clean the showering area. Do not use industrial cleaners that have abrasive or harsh chemical properties as this could affect the surface finish.

The surface of this shower tray should never directly come into contact with strong industrial acids or alkalis, organic solvents, caustic soda, lacquers or nail polishes, bleaches or any dry powder cleaning agents. Do not use paint strippers or stain removers to remove any stubborn staining. If more thorough cleaning is needed using domestic cleaning products always test on a small area first.



# Contact Us

**AKW**  
Life Made Better

## Orders & Quotes

01905 823 299  
orders@akw-ltd.co.uk

## General Enquiries

01905 823 298  
sales@akw-ltd.co.uk

## Technical Enquiries

01905 560 219  
tech@akw-ltd.co.uk

## Kitchen Enquiries

01905 823 262  
kitchens@akw-ltd.co.uk

## Fax

01905 823 297

## AKW

Pointon Way, Hampton Lovett  
Droitwich Spa, WR9 0LR

[www.akw-ltd.co.uk](http://www.akw-ltd.co.uk)  
[orders.akw-ltd.co.uk](mailto:orders.akw-ltd.co.uk)

## Follow us on Social:



## Guarantee

The life time guarantee applies only to manufacturing or material defects, conditional on the one-time correct installation of the product.

Does not apply to:

- Inappropriate use or accidental damage.
- Damage or defects that result from incorrect installation.
- Lack of maintenance including the build up of grime or damage resulting from inappropriate cleaning.
- Damage or defects that result from repairs or modifications undertaken by unauthorised persons.
- This guarantee excludes general wear and tear through usage and does not apply to surface finishes.

## What to do if something goes wrong?

In the event that you should encounter a problem with this product, please contact your local installer and if this does not resolve the issue, then contact AKW technical team who will provide further advice and, if necessary, arrange for a maintenance engineer to visit and report any issues. See the T&Cs on our website or our catalogue for further information. None of the foregoing affects your statutory rights.